

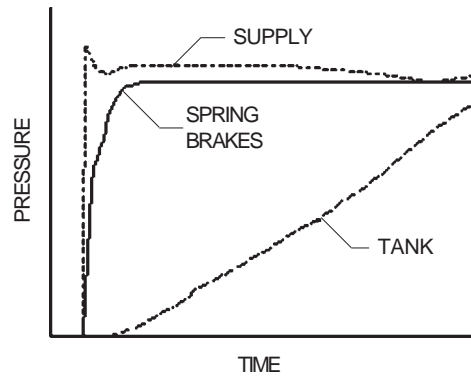


TRAMEC

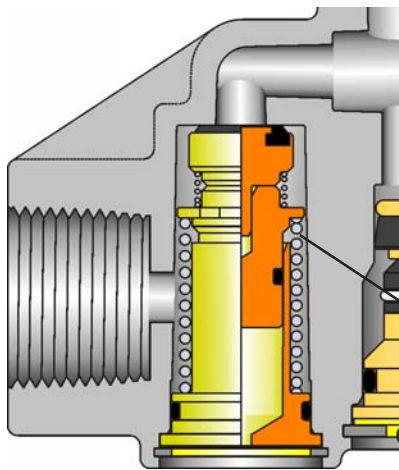
Product Bulletin

The **TRAMEC TEV**[®] Trailer Emergency Valve

Meets the Requirements of FMVSS 571.121 As They Relate to Trailer Parking Brake and Trailer Air Supply Control Providing "Spring Brake Priority" Logic

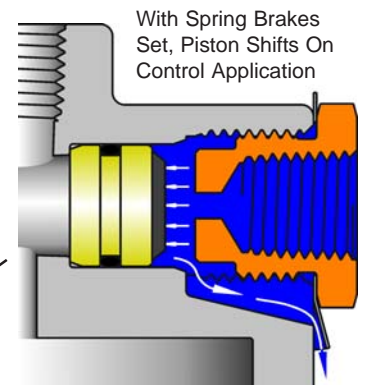


RESERVOIR CHARGING



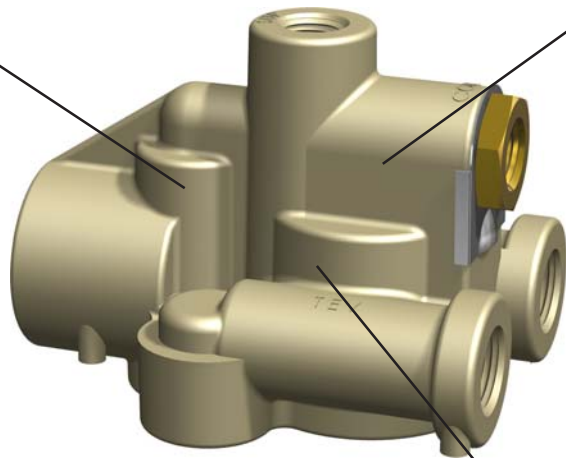
PRESSURE PROTECTION

When the supply line pressure exceeds 85 psi, the piston shifts down to allow flow to the tank. The check valve retains tank pressure when the gladhand is vented.



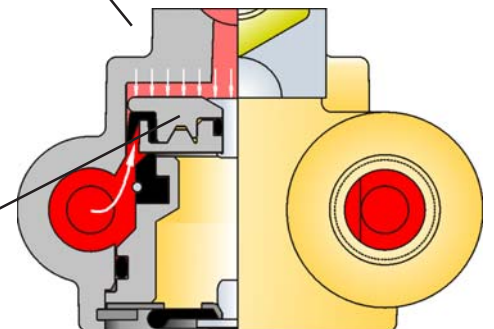
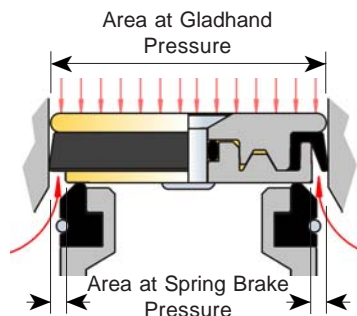
VENTING ANTI-COMPOUNDING

When the Spring Brakes are On, the Control line is Vented to Atmosphere. Prevents false release of Spring Brakes on Doubles; Ejects fluids trapped in Control Lines.

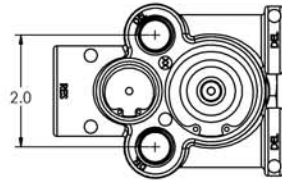
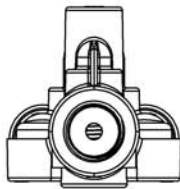
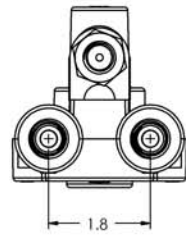
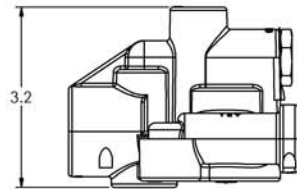
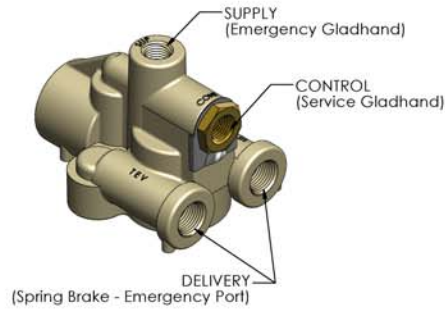
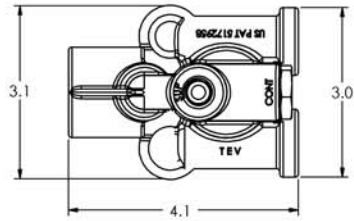


NO SPRING BRAKE DRAG With TEV or STEV Systems

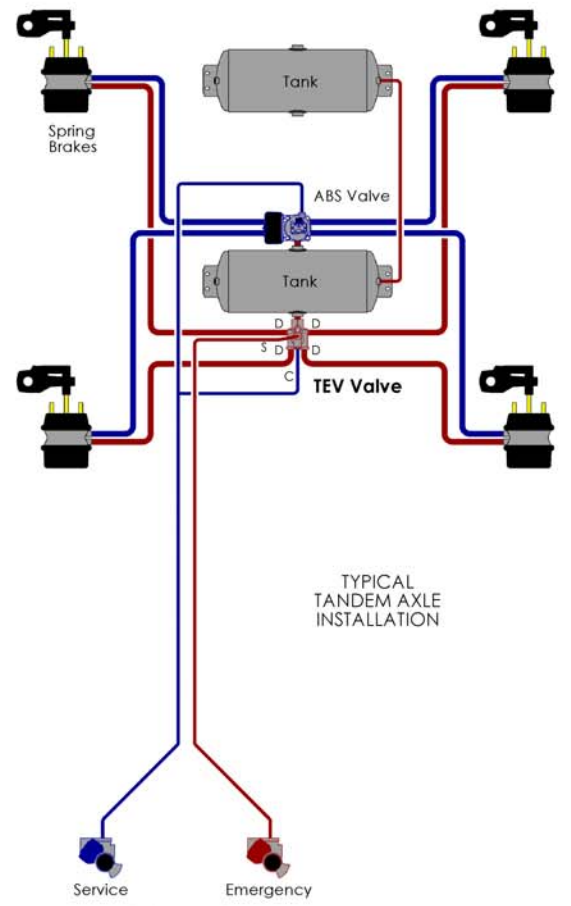
By Design, the Spring Brakes will retain the maximum pressure delivered by the compressor, until the supply gladhand pressure drops to about 35 psi. The effective area of the shuttle at gladhand pressure is about 3 times that of the area exposed to spring brake pressure. Area X Pressure = the Force to Retain or Exhaust the pressure in the spring brakes. (Refer to graphic representation at right)



PORTS:
 SUPPLY: 1/4-18 NPTF
 CONTROL: 1/4-18 NPTF
 DELIVERY (4): 3/8-18 NPTF
 RESERVOIR: 3/4-14 NPTF



- FEATURES:
- SPRING BRAKE PRIORITY: SPRING BRAKES ARE RELEASED AS SUPPLY PRESSURE RISES, ALLOWING QUICK & SAFE MOVEMENT, EVEN IF THE RESERVOIR IS FAILED
 - SUPPLY LINE PRESSURE PROTECTION PER DOT FMVSS 121
 - NO SPRING BRAKE DRAG
 - VENTING ANTI-COMPOUNDING
 - SINGLE RESERVOIR ECONOMY
 - US PATENT 5172958



TYPICAL TANDEM AXLE INSTALLATION

REVISE OR IN CHG ONLY - FORM EDD#	 30 DAVIS STREET, P.O. BOX 716, IOLA, KANSAS 66749	
	THE INFORMATION CONTAINED HEREIN IS THE CONFIDENTIAL PROPERTY OF TRAMEC AND IS NOT FOR DISCLOSURE OR DISSEMINATION FOR ANY PURPOSE OTHER THAN THAT FOR WHICH IT IS SUBMITTED, EXCEPT AS AUTHORIZED IN WRITING BY TRAMEC, LLC. ALL DIMENSIONS ARE IN INCHES UNLESS OTHERWISE NOTED.	
SCALE: 1:2	DATE: 6-11	DRAWN: EDS
TEV Valve PART NO. 51301		TOLERANCE UNLESS NOTED: ONE PLACE (.X) ±0.030 TWO PLACE (.XX) ±0.010 THREE PLACE (.XXX) ±0.002 ANGULAR ±1/2°
TRAILER EMERGENCY VALVE		DRAWING NUMBER: 930907

TRAMEC, LLC

30 Davis Street, P.O. Box 716, Iola, KS 66749-0716
 Tel: 800-835-0021 or 620-365-6977 Fax: 620-365-3290
 Web: www.tramec.com Email: sales@tramec.com

Replaces: Bendix SR-5, SRC-7000; Sealco 110500, 110800; Haldex KN26120