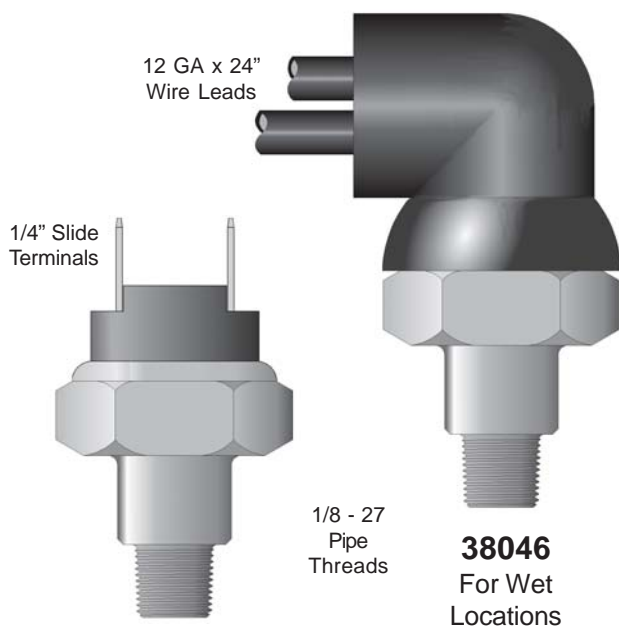




TRAMEC

Product Bulletin

Why Buy A Second Cable, Just to Turn Off the Lights?



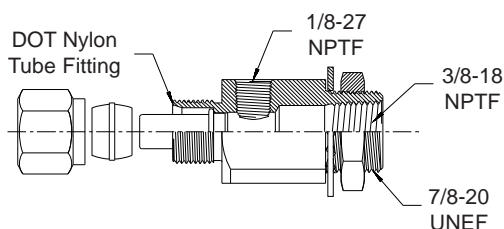
38042
For Dry Locations

38046
For Wet Locations

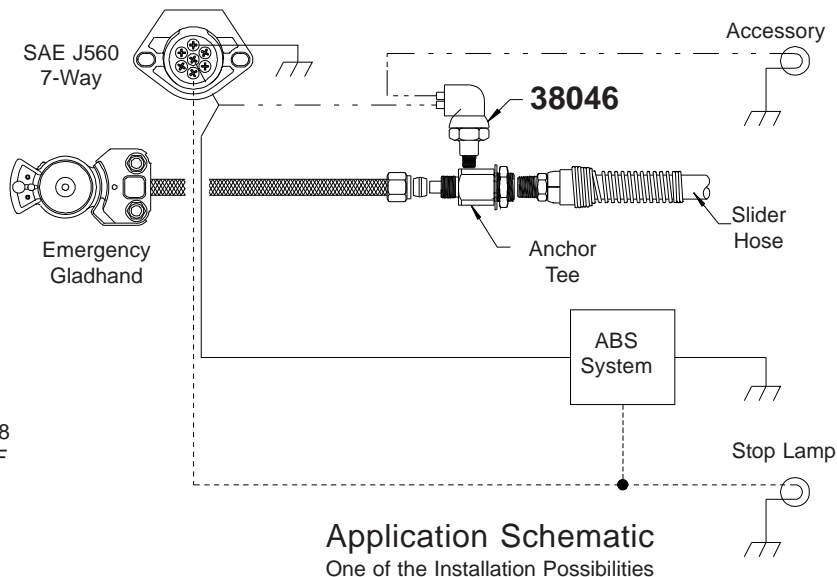
TRAMEC's ABS/Accessory switch ensures that the full capacity of the shared "Blue" circuit is available to the ABS whenever the vehicle is rolling; and ensures that the accessory loads, like dome lights, are "turned off".

ABS/Accessory Switches

U.S. Patent 5929532
(Approximate Actual Size)



38043 Anchor Tee for 1/2" Tubing
38044 Anchor Tee for 3/8" Tubing



TRAMEC, LLC

30 Davis Street, P.O. Box 716, Iola, KS 66749-0716
Tel: 800-835-0021 or 620-365-6977 Fax: 620-365-3290
Web: www.tramec.com Email: sales@tramec.com