



We are expanding our line to include Die-Cast J560 Receptacles & Adapters

Seven Way Receptacle Systems

- SAE J560 Style Receptacles
- Bodies Made of Die-Cast Zinc with Stainless Hinge Pin & Spring.
- Receptacle Inserts are O-ring Sealed and Self-Grounding.
- Industry Standard Mounting Dimensions

2" Standard Adapter Box & J560 Receptacle

BOX & RECEP KIT PART NO.	PIN STYLE	BREAKERS	RECEP PART NO.	BOX PART NO.
38802	SOLID	NONE	38800	38860
38803	SPLIT	NONE	38801	38860
38820	SOLID	15 AMP	38810	38860
38821	SPLIT	15 AMP	38811	38860
38822	SOLID	20 AMP	38812	38860
38823	SPLIT	20 AMP	38813	38860
38824	SOLID	30 AMP	38814	38860
38825	SPLIT	30 AMP	38815	38860



3" Deep Adapter Box & J560 Receptacle

BOX & RECEP KIT PART NO.	PIN STYLE	BREAKERS	RECEP PART NO.	BOX PART NO.
38804	SOLID	NONE	38800	38861
38805	SPLIT	NONE	38801	38861
38830	SOLID	15 AMP	38810	38861
38831	SPLIT	15 AMP	38811	38861
38832	SOLID	20 AMP	38812	38861
38833	SPLIT	20 AMP	38813	38861
38834	SOLID	30 AMP	38814	38861
38835	SPLIT	30 AMP	38815	38861



TRAMEC, LLC

30 Davis Street, P.O. Box 716, Iola, KS 66749-0716
 Tel: 800-835-0021 or 620-365-6977 Fax: 620-365-3290
 Email: sales@tramec.com



Without Breakers



With Breakers

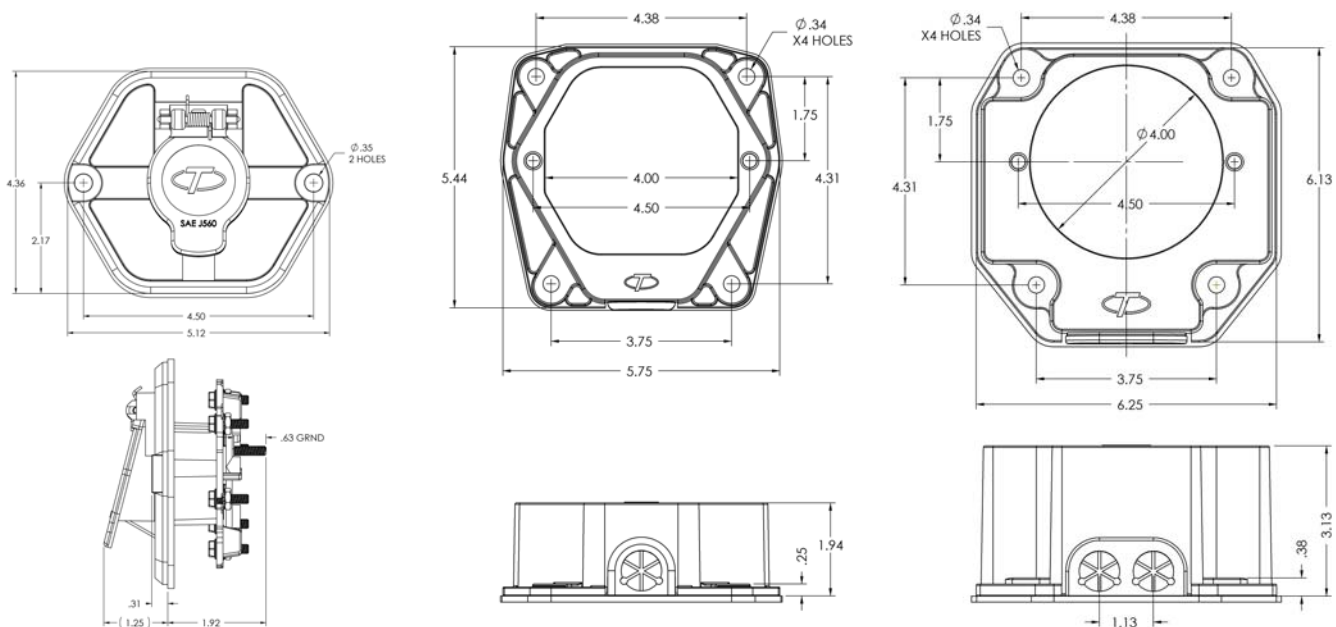
Die-Cast Seven Way Receptacle Systems

- SAE J560 Style Receptacles
- Bodies Made of Die-Cast Zinc with Stainless Hinge Pin & Spring.
- Receptacle Inserts are O-Ring Sealed and Self-Grounding.
- Receptacle gaskets are included
- TRAMEC recommends ring terminals for the connection between wires and receptacle pins for positive mechanical connections.

RECEPTACLES WITHOUT BOXES	SOLID PIN PART NO.	SPLIT PIN PART NO.
Receptacle without Circuit Breakers	38800	38801
Receptacle w/ 15A Circuit Breakers	38810	38811
Receptacle w/ 20A Circuit Breakers	38812	38813
Receptacle w/ 30A Circuit Breakers	38814	38815

Surface Mounted Adapter Boxes

- Bodies Made of Die-Cast Zinc
- Nominal 2" and 3" depth options fit industry standard hole pattern
- 3" Deep Box has a double grommet
- Kits include Gasket, Grommet, and Receptacle Mounting Screws



Part No. 38860

Part No. 38861